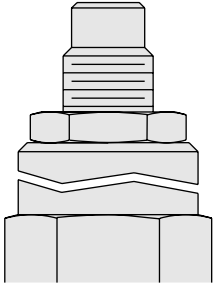


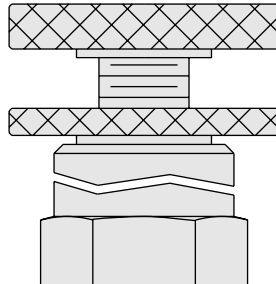
FLOW CONTROLS

Adjustment Options – FC, FR & NV Series

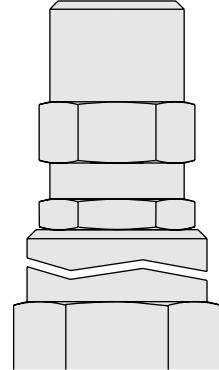
“A”
1/4-in. Hex Allen Head
P/N 7004400



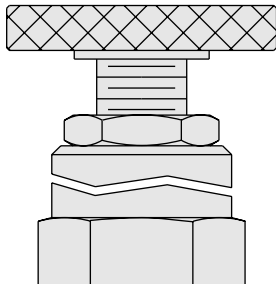
“B”
1 1/2-in. Dia. Aluminum Knob
Kit P/N 6260010



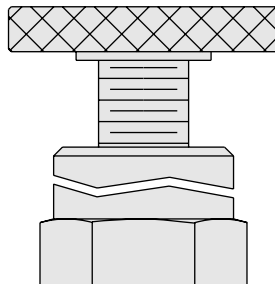
“C”
Option “A” with Cover Cap
P/N 7006700 (Steel)



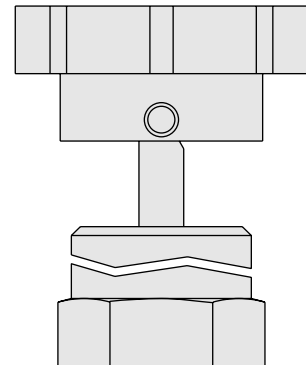
“D”
Top Knob with Lock Nut



“E”
Top Knob Only
P/N 7010250

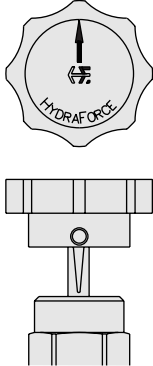


“E”
Plastic Knob
for NVxx-21, FR12-23,
FR12-32, FR10-33, FR12-33
Kit P/N 6113160

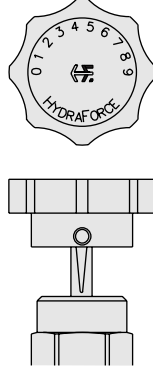


Adjustment Options – MR Series, 180° Rotation

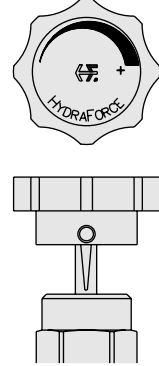
**Plastic Knob
Pointer In-Lay
Kit P/N 5341010**



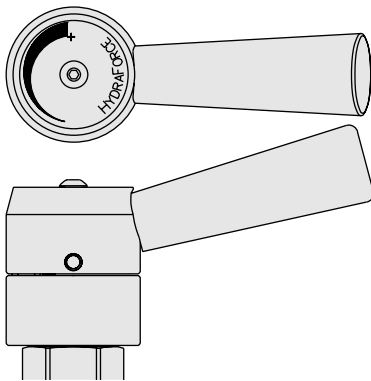
**Plastic Knob
Numbers 1-10 In-Lay
Kit P/N 5341020**



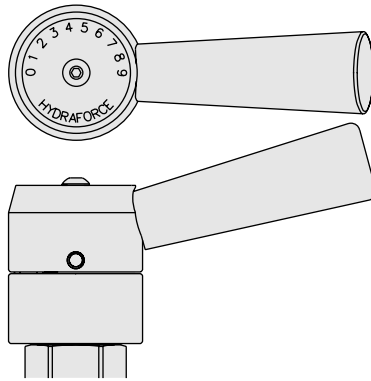
**Plastic Knob
Flow Arrow In-Lay
Kit P/N 5341030**



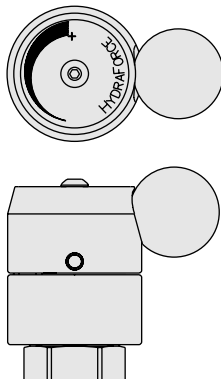
**Lever Handle
Friction Lock
Kit P/N 5341040**



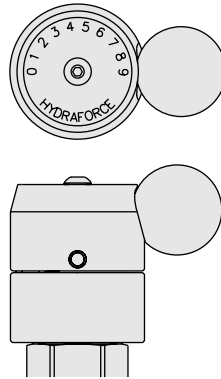
**Lever Handle
10-Position Detent
Kit P/N 5341050**



**Ball Handle
Friction Lock
Kit P/N 5341060**



**Ball Handle
10-Position Detent
Kit P/N 5341070**



See page 4.990.1
for MR Series Knob/Handle
Installation Instructions.